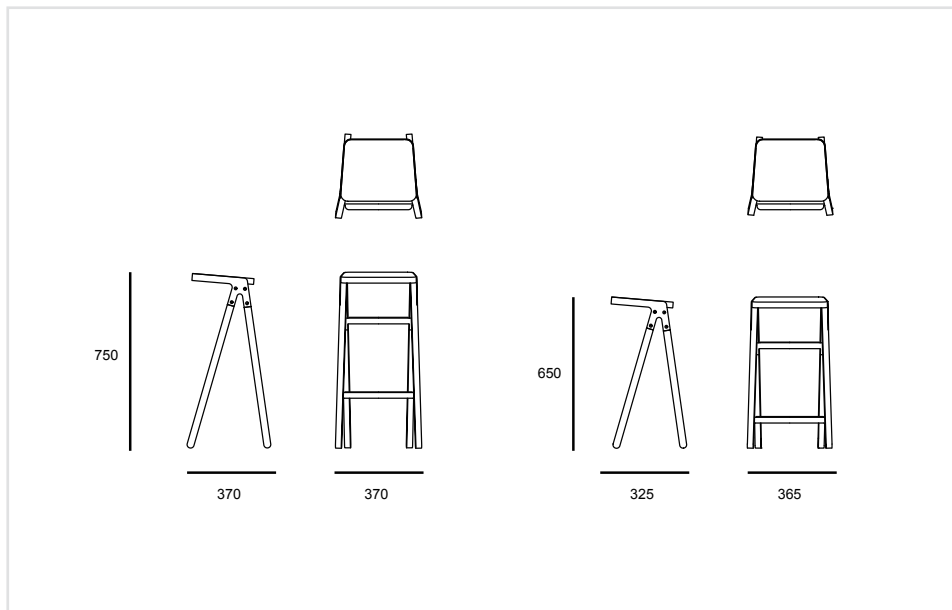


DESIGNER LEVER  
MATTHEW  
PRINCE



Product Specification  
in millimeters



**Specification**

Solid Tasmanian Oak, 10% gloss acrylic urethane finish.  
Powder coated mild steel frame

**Options**

Timber  
Solid American Ash  
Solid American Oak

**Finish**

Custom Stain (as pictured)  
Custom 2pac Colour

**Dimensions**

Lounger 660W x 670D x 680H x 420SH  
Fabric required 1M  
Side table 320diam x 420H