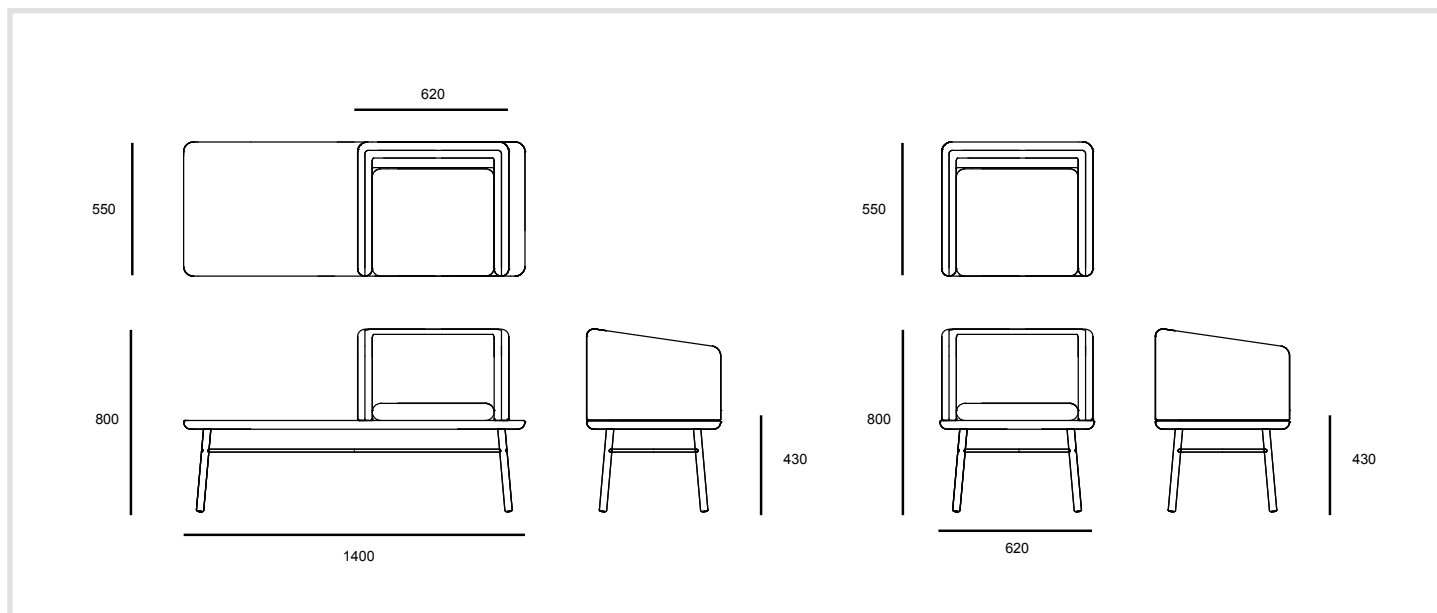


DESIGNER TUB
ADAM
GOODRUM



Product Specification
in millimeters



Specification

Solid Tasmanian Oak, 10% gloss acrylic urethane finish.
Enduro foam on MDF upholstered frame with seat cushion
Powder coated mild steel bracing

Options

Timber
Solid American Ash (as pictured)
Solid American Oak

Finish

Custom Stain
Custom 2pac Colour
Leather
Lumber scatter cushion
Custom powder coating

Dimensions

Tub chair 620W x 620D x 780H x 500SH
Fabric required 2M
Tub+bench 1400W x 620D x 780H x 500SH
Fabric required 2M