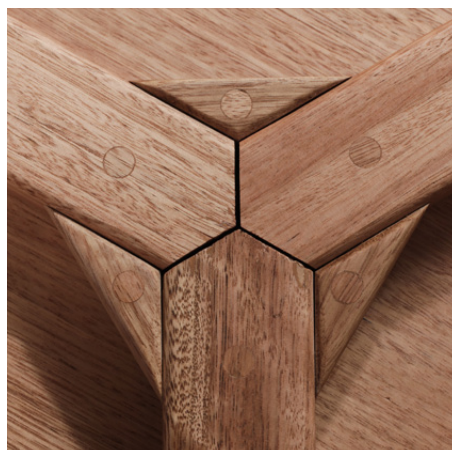
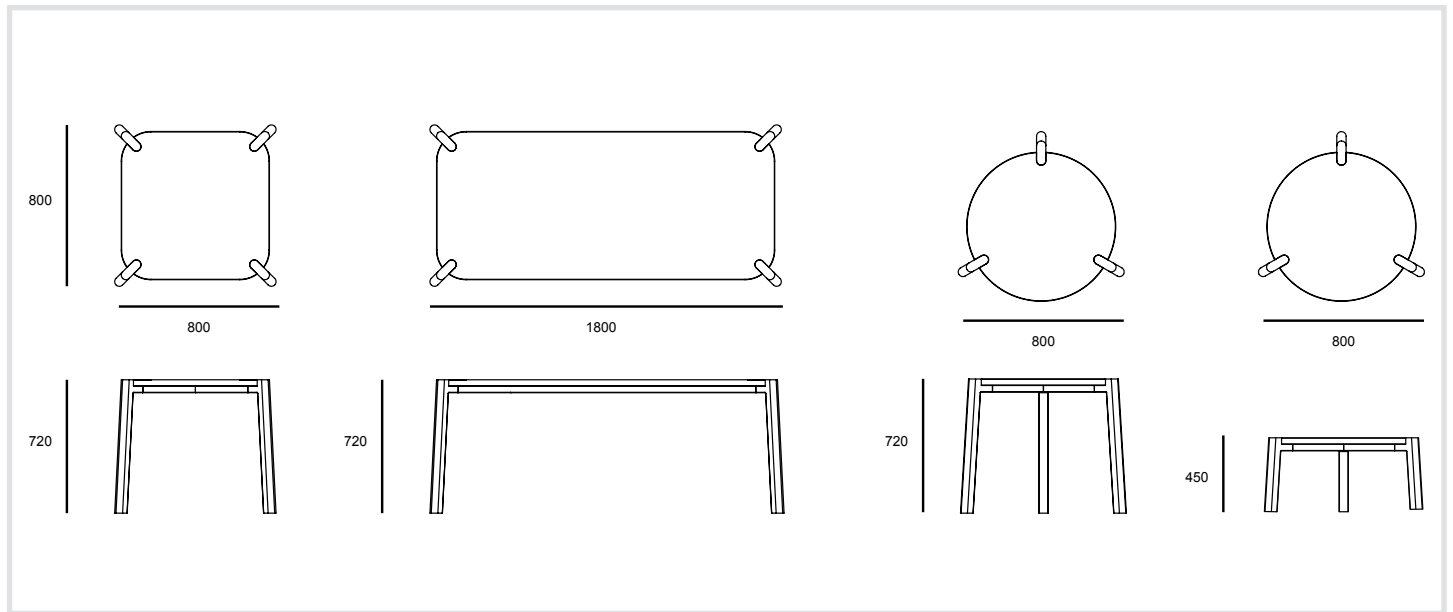


DESIGNER

SOLID  
ALEXANDER  
LOTERSZTAIN



Product Specification  
in millimeters



**Specification**

Solid Tasmanian Oak, 10% gloss  
acrylic urethane finish.

**Options**

Timber  
Solid American Ash  
Solid American Oak

**Finish**

Custom Stain  
Custom 2pac Colour

**Dimensions**

Table sq.	800W x 800D x 720H
Table rect.	1800W x 800D x 720H
Cafe table	800diam x 450H